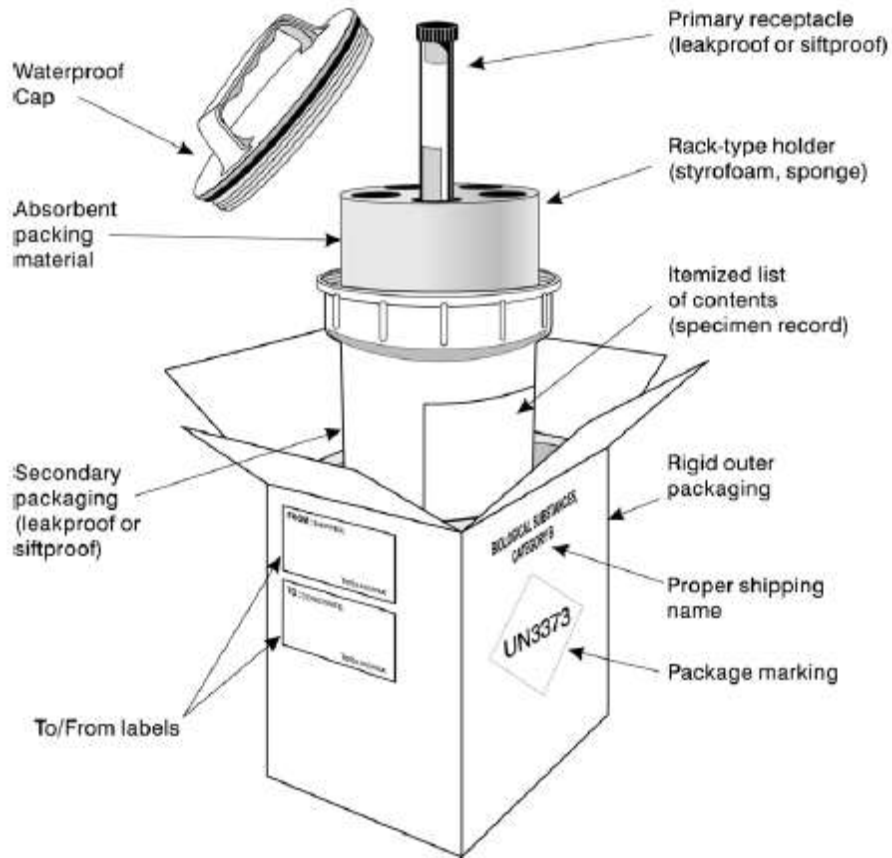


Example of Packing and Marking for Category B Infectious Substances
(IATA packaging instruction 650 must be followed for UN3373 category B)



Example of Packing and Marking for Category A Infectious Substances
(IATA packaging instruction 620 must be followed for UN2900 category A)

